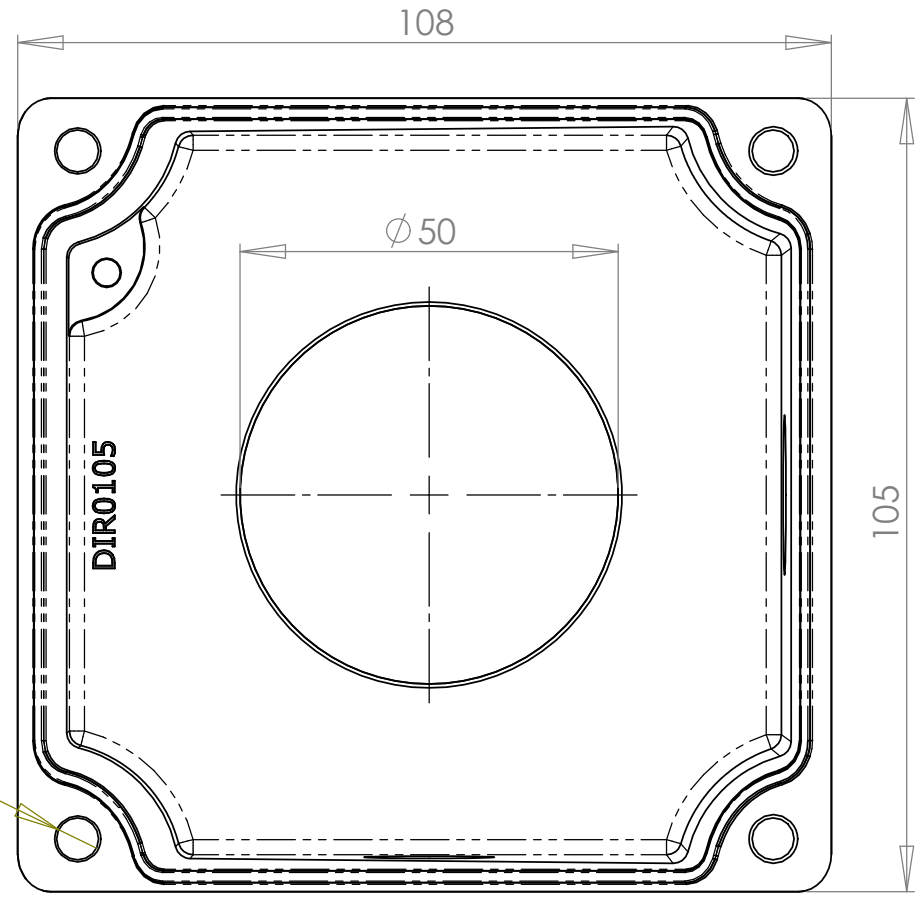
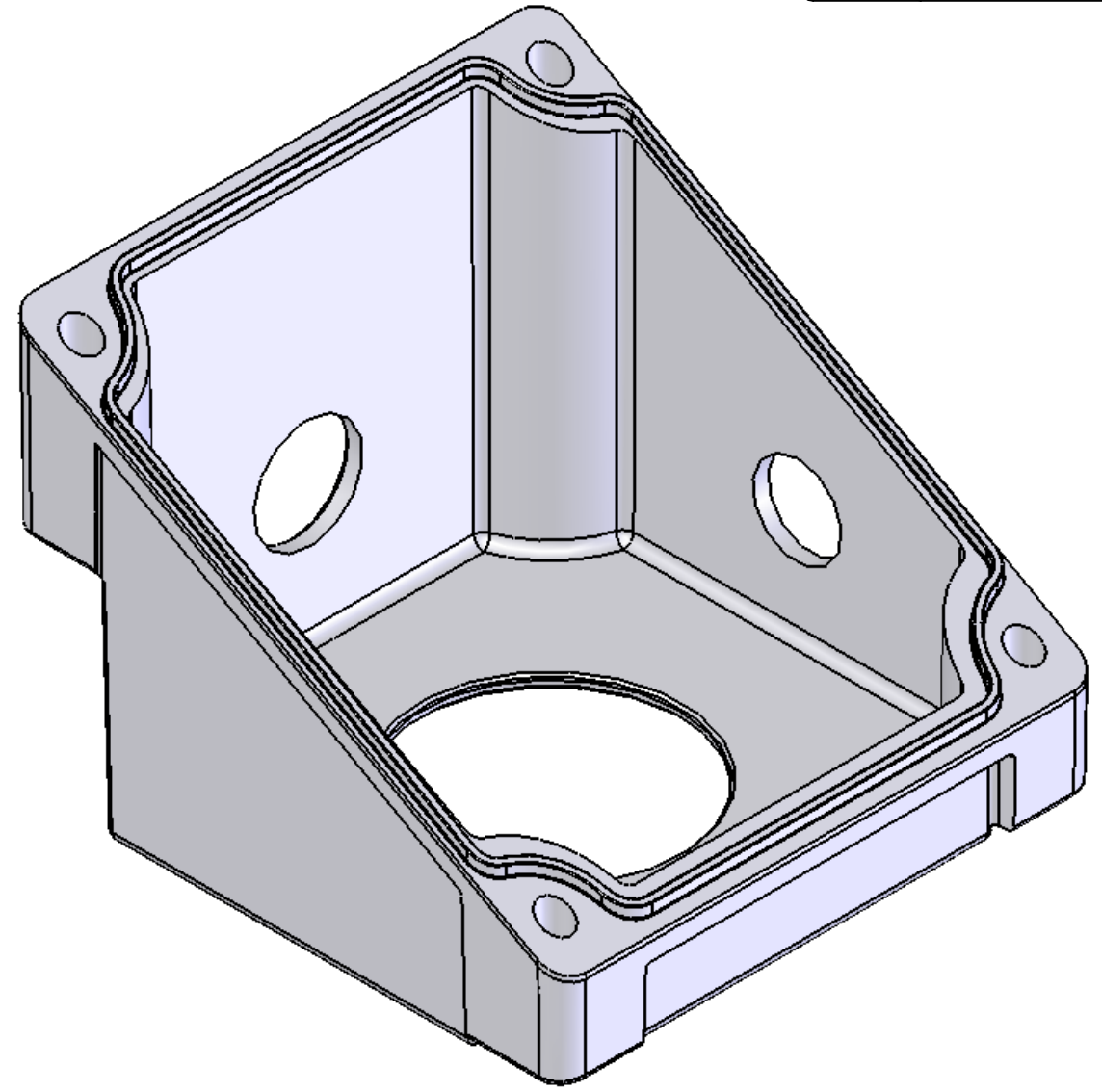
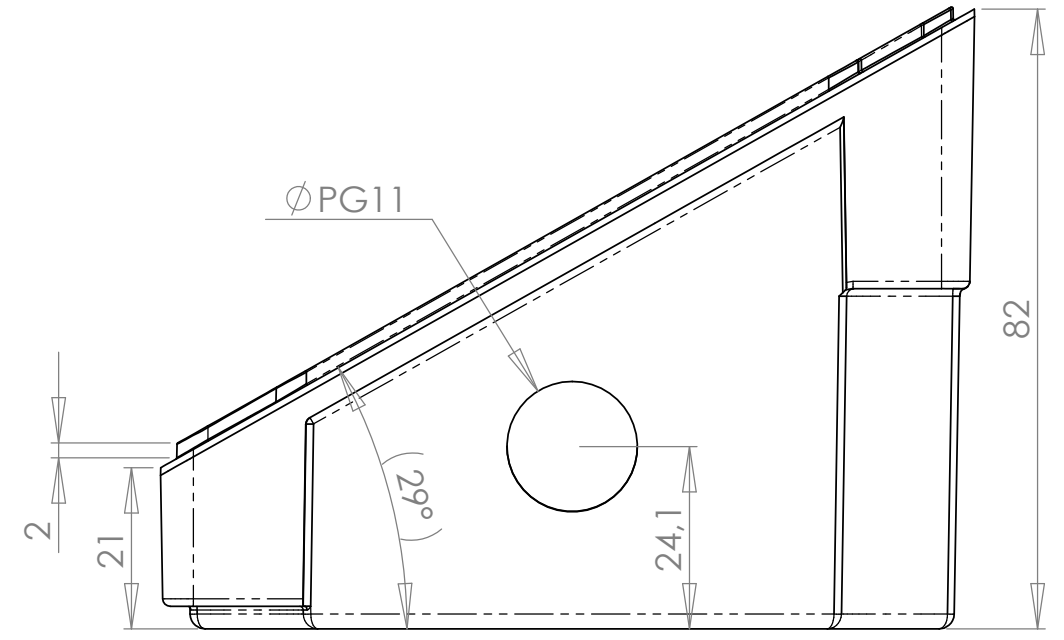
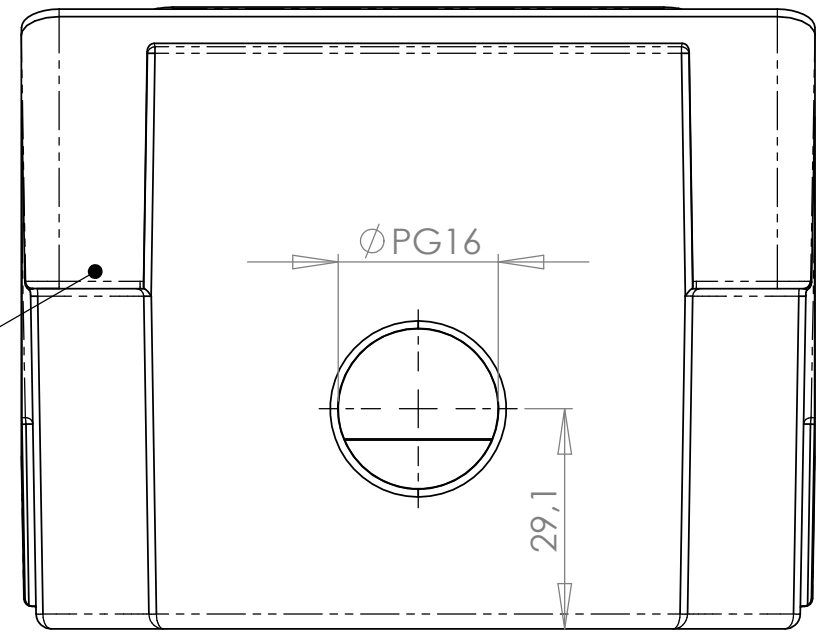


Nut M5 Inside  
(4x)



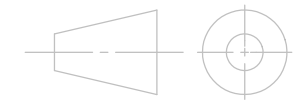
Material: AlSi12Cu1

Unit = mm Tolerance: DIN1688-GTA13/5

Size: A3 Page: 1

Date first drawing:  
Scale: 1 / 1

Customer name: **Econo**  
Art. ref. + rev.:  
Art. description: Aluminium connection box - bottom part, IP55,  
material AlSi12Cu1, 105x105 mm



Protected by ISO 16016

Art. ref.: -  
Part code: Rev

REV.	DATE	KC	DM	BDB
Revision	Draw.	INI. SIGN.	INI. SIGN.	INI. SIGN.

Revision description