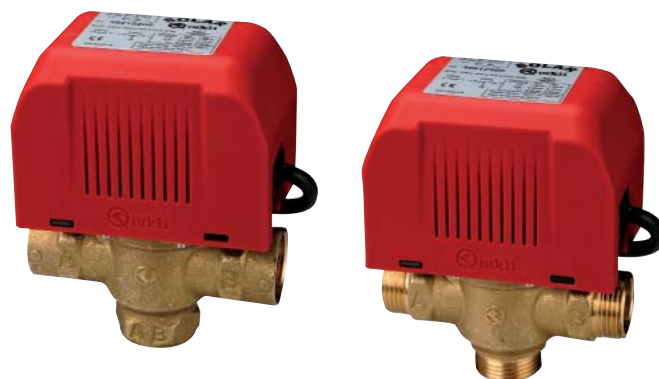




NON DETACHABLE ZONE VALVES

Motorized zone valves are designed to work as on-off flow control as diverting / mixed valves in closed water circuits in heating, air conditioning, solar systems, utilization of river water resources, etc.



• PRODUCT RANGE

FEMALE ZONE VALVES

	Type	Size	Pipe connection	Micro switch	Article Ref.	EAN
	2 ways	DN 15 (1/2")	1/2" F	NO	30113200	8426562020065
	2 ways	DN 20 (3/4")	3/4" F	NO	30213200	8426562020072
	2 ways	DN 25 (1")	1" F	NO	30313200	8426562020089
	2 ways	DN 15 (1/2")	1/2" F	YES	30123200	8426562020096
	2 ways	DN 20 (3/4")	3/4" F	YES	30223200	8426562020102
	2 ways	DN 25 (1")	1" F	YES	30323200	8426562020119
	3 ways	DN 15 (1/2")	1/2" F	NO	40113200	8426562020126
	3 ways	DN 20 (3/4")	3/4" F	NO	40213200	8426562020133
	3 ways	DN 25 (1")	1" F	NO	40313200	8426562020140
	3 ways	DN 15 (1/2")	1/2" F	YES	40123200	8426562020157
	3 ways	DN 20 (3/4")	3/4" F	YES	40223200	8426562020164
	3 ways	DN 25 (1")	1" F	YES	40323200	8426562020171

MALE ZONE VALVES

	Type	Size	Pipe connection	Micro switch	Article Ref.	EAN
	2 ways	DN 20 (3/4")	3/4" M	NO	30613200	8426562020188
	2 ways	DN 25 (1")	1" M	NO	30713200	8426562020195
	3 ways	DN 20 (3/4")	3/4" M	YES	40613200	8426562020201
	3 ways	DN 25 (1")	1" M	YES	40713200	8426562020218

ZONE VALVES HIGH KV

	Type	Size	Pipe connection	Micro switch	Article Ref.	EAN
	3 ways	DN 25 (1")	1" M	NO	20713900	8426562020256
	3 ways	DN 25 (1")	1" F	NO	20313200	8426562020263



• TECHNICAL SPECIFICATIONS

The Orkli motorized zone valves comply with the requirements of the following Directives:

- Directive: 2014/35/UE (LVD)
- Directive: 2014/30/UE (EMCD)
- Directive: 2014/68/UE (PED)
- Directive: 2011/65/EC (RoHS)

• TECHNICAL DATA

Media	water, glycol solutions
Maximum percentage of glycol	50 %
Minimum fluid temperature	-20 °C
Maximum fluid temperature	160 °C
Maximum ambient temperature	50 °C
Opening time	12 s
Closing time	5 s
Supply voltage	230 V
Consumption	50 Hz 5W
Cable length	60 cm
Maximum static pressure	10 bar

• VALVES

MATERIALS	
Body	brass EN 12165 CW617
Spindle	brass EN 12165 CW617
O-rings	EPDM
Spring	stainless steel
Lever	steel
Main support	PPA with F.V.
Cover	PA 6-6

Maximum differential pressure and Q

Size	2 ways		3 ways	
	Δp (bar)	Q (m ³ /h)	Δp (bar)	Q (m ³ /h)
DN 15 (1/2")	1.4	3.6	1.4	4
DN 20 (3/4")	0.7	6.2	0.7	6.4
DN 25 (1")	0.7	6.2	0.7	6.4

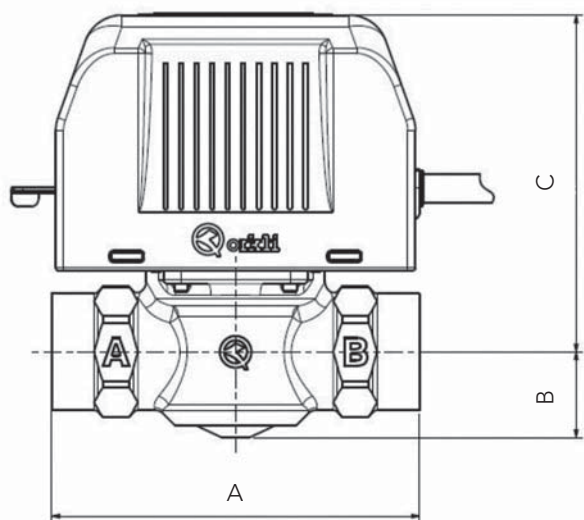
Size	3 ways	
	Δp (bar)	Q (m ³ /h)
DN 25 (1") AKV	0.5	8.8

Flow direction:

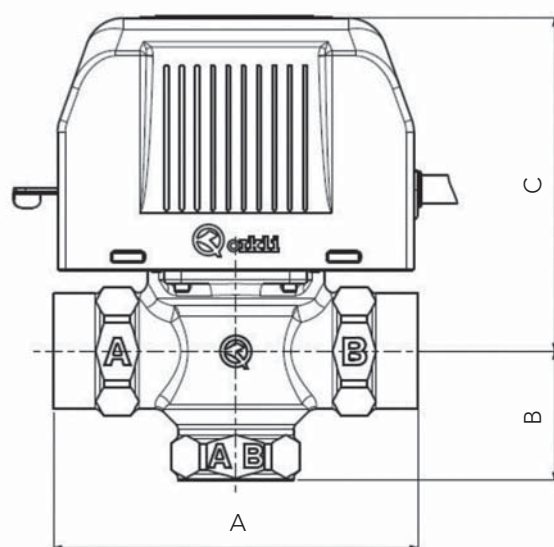
2 ways:	De-energized: Closed Energized: A → B
3 ways:	De-energized: AB → B Energized: AB → A

• MAIN MOUNTING DIMENSIONS

2 WAYS



3 WAYS



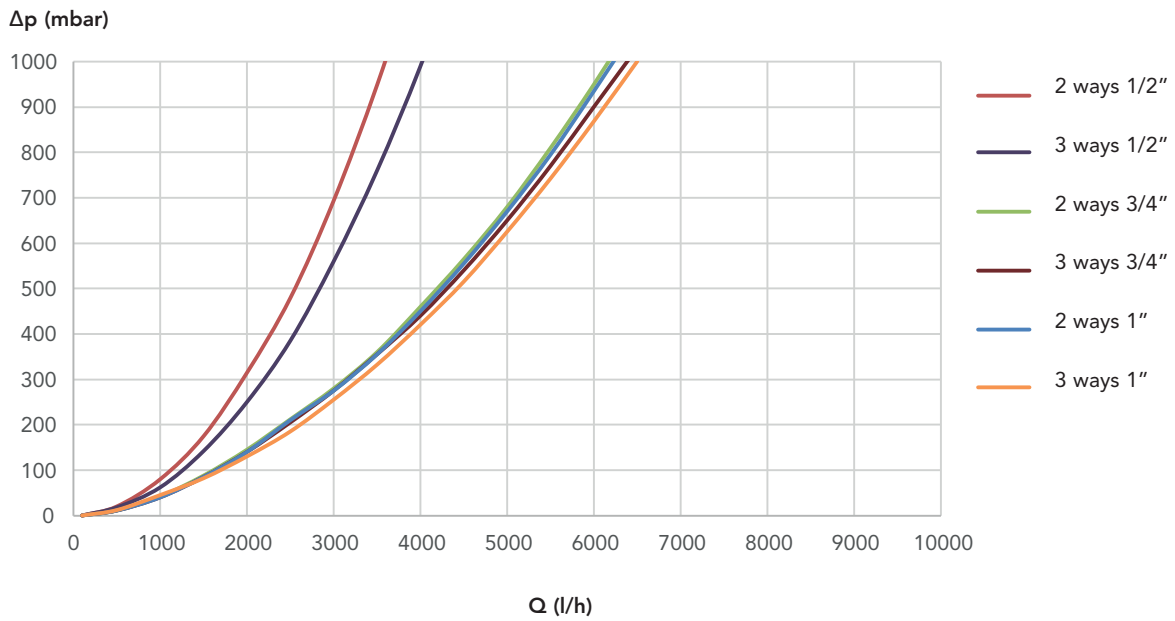
Model	A	B	C
1/2", 3/4" and 1"	94.5	21	87

Model	A	B	C
1/2", 3/4" and 1"	94.5	33.5	87



• HYDRAULIC CHARACTERISTICS

ZONE VALVES



ZONE VALVES (HKv)

